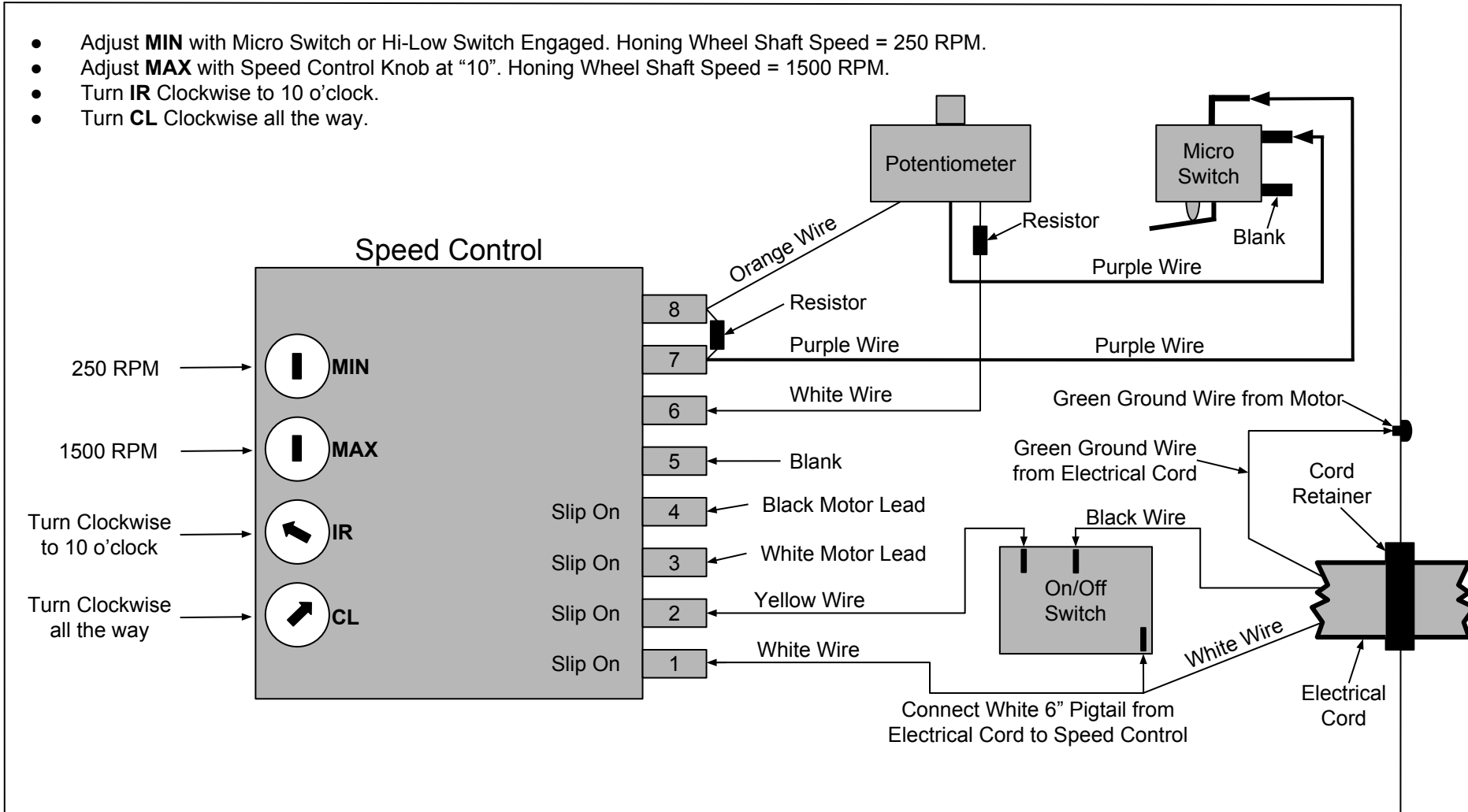


## Tru Hone Wiring Diagram for 125DV-C Speed Control (For 110V HCA Models)

- Adjust **MIN** with Micro Switch or Hi-Low Switch Engaged. Honing Wheel Shaft Speed = 250 RPM.
- Adjust **MAX** with Speed Control Knob at "10". Honing Wheel Shaft Speed = 1500 RPM.
- Turn **IR** Clockwise to 10 o'clock.
- Turn **CL** Clockwise all the way.



Tru Hone Corporation  
1721 NE 19th Avenue  
Ocala, Florida 34470 USA



800.237.4663  
352.622.1213  
TruHone.com